

Perfect pool & spa temperature  
365 days a year



## RHEEM THERMAL

**NEW**

# RHEEM IQ<sup>®</sup> LINK DIGITAL PUMP INTERFACE



RHEEM IQ<sup>®</sup> LINK DPi1

TOP VIEW



RHEEM IQ<sup>®</sup> LINK DPi2

SIDE VIEW



SIDE VIEW

The new Rheem IQ<sup>®</sup> - Link DPi digital pump controllers provide an easy plug-and-play interface between the Rheem Thermal Pool Heat Pump and the filter or circulation pump, so to maximise the overall energy efficiency of the pool heating system.

DPi Link extends the advanced control intelligence inbuilt into every Rheem Thermal Pool Heat Pump via our exclusive Rheem IQ<sup>®</sup> tariff intelligence controller, to the entire pool chlorination and heating system. The base on-demand pump call feature in the Rheem IQ<sup>®</sup> ensures that the pump providing flow to the heat pump is not running when it doesn't need to, helping to minimise energy and heating costs. Where a home or business has digital or smart metering, the Rheem IQ<sup>®</sup> tariff intelligence controller, can extend these savings further by choosing the lowest electricity-priced times.

The DPi Link is available in two designs: DPi1 for control where the heat pump has its own dedicated circulation pump for water flow, or DPi2 where the pool system includes only a single filter pump system connected to an automated chlorinator.

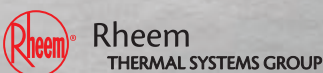
- Plug-and-Play ease of installation (no electrician needed)
  - Maximising total energy and heating efficiency
  - Minimising pump run hours
- Reduce run times and wear on filter or circulation pump
  - Ensures continual temperature control at least cost
  - Vermin proof, providing longevity and reliability
    - Power surge protected
- UV resistant enclosure, leads and cables
- Designed and manufactured in Australia



Proudly manufactured in Australia

RHEEM THERMAL SYSTEMS GROUP

INSTALL A



[rheemthermal.com.au](http://rheemthermal.com.au)

# RHEEM IQ® LINK DPi1

# RHEEM IQ® LINK DPi2

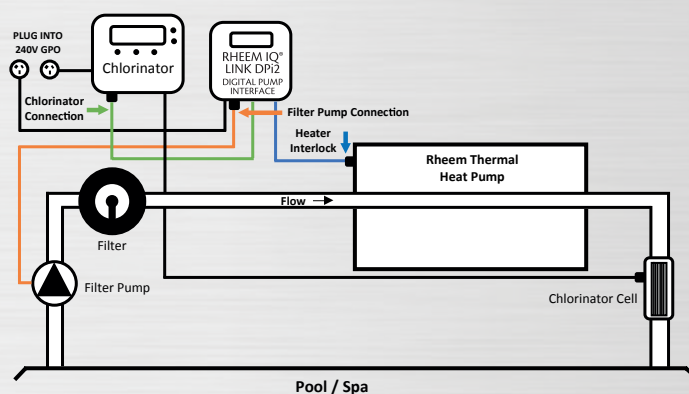
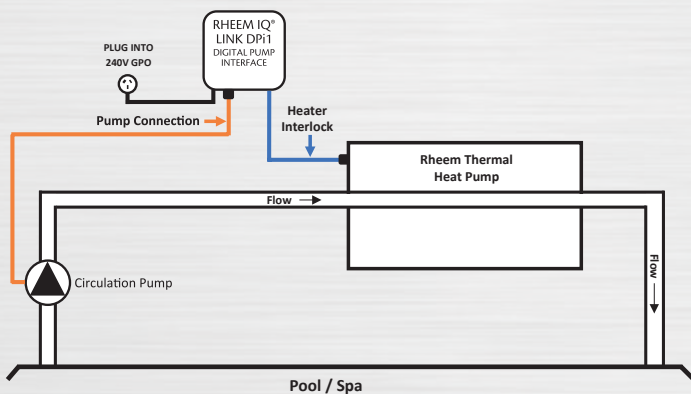


The **Rheem IQ® Link DPi1** controller is suitable for connection where a separate pump is installed on a heating circuit in combination with a Rheem Thermal heat pump.

The DPi1 controller is designed to switch a 240V pump, rated to 9.98 Amps, 2395 watts controlled from the 'PUMP CONNECTION' output socket and 'HEATER INTERLOCK' output on a Rheem Thermal heat pump.

The **Rheem IQ® Link DPi2** controller is suitable for connection to a single filter pump system including automated chlorinator in combination with a Rheem Thermal heat pump.

The DPi2 controller is designed to switch a 240V pump, rated to 9.98 Amps, 2395 watts controlled from the 'PUMP CONNECTION' output. The DPi2 controller is also designed to be connected to a chlorinator via the 'CHLORINATOR CONNECTION' lead and the 'HEATER INTERLOCK' output lead to a Rheem Thermal heat pump. The DPi2 has an LCD screen, which displays whether the filter pump is 'on' and whether the chlorinator or heat pump is demanding the filter pump to be operating.



Part No	Description	Application	Power Supply	Dimensions (mm) Length x Depth x Height
17507	Rheem IQ-Link DPi1	Separate circulation pump systems	10amp/240 V	200 x 85 x 160

Part No	Description	Application	Power Supply	Dimensions (mm) Length x Depth x Height
17508	Rheem IQ-Link DPi2	Single pump systems with automated chlorinator	10amp/240 V	200 x 85 x 160

The heat pump Rheem IQ® tariff intelligence controller communicates to the DPi1 and DPi2 via the 'CYCLE TO TEST TEMPERATURE' function:

- The DPi1 controller will start the circulator pump to allow the Rheem IQ® heat pump controller to monitor the pool or spa temperature and cycle the pump on/off as needed for temperature control.
- The DPi2 controller starts the single filter pump to allow monitoring of the pool or spa temperature and pump cycling whilst ensuring that the programmed hours for chlorination are maintained.

